

7061

Reframe | Spare toilet paper holder

Spare toilet paper holder Polished steel

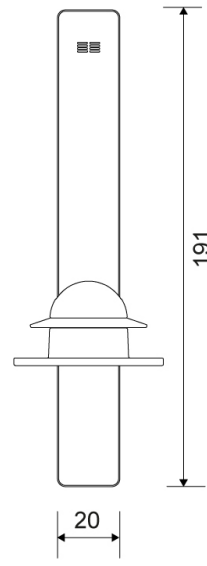
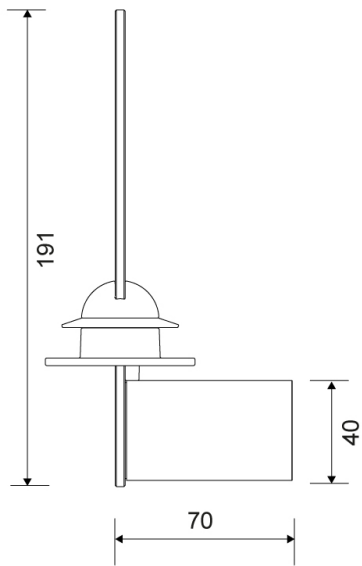
The extra holder has a separate rubber element which adjusts to the inside diameter of the roll so the roll does not slip to the side but always stays centred.

The pack contains fittings, screws and an Unbraco key for assembly.



Specifications

ITEM NUMBER 7061	GTIN NUMBER 5707692010731	WEIGHT 400 g
MATERIAL Stainless steel (AISI 304)	SURFACE Polished steel	HEIGHT 191 mm
DEPTH 70 mm	DIAMETER 60 mm	WIDTH 20 mm



7061

Products